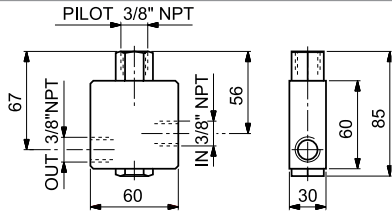

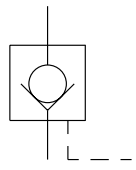
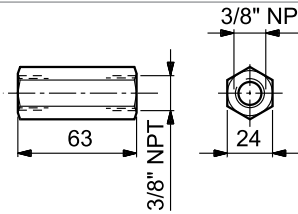


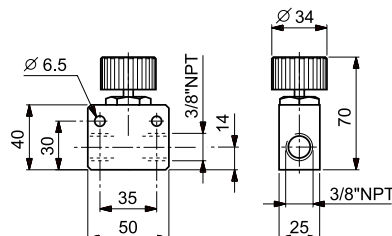

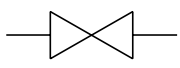
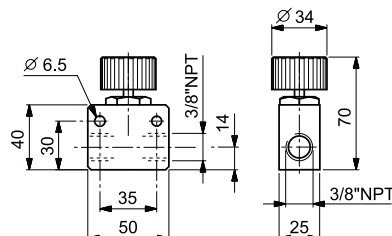

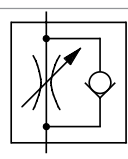
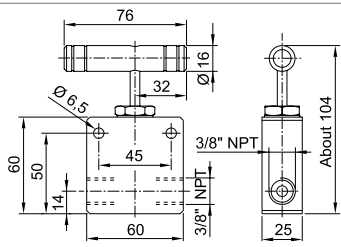

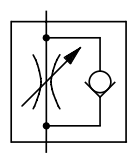
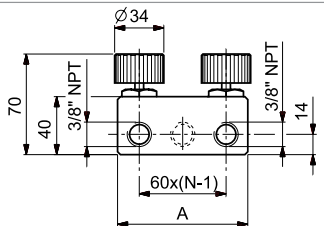

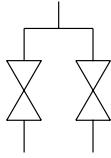
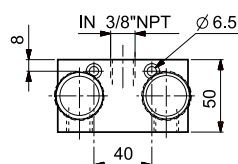

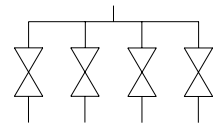


VR - IN-LINE REGULATING VALVES

VR PRESSURE 700 BAR		MODEL	Description	Symbol
	VRP38	Pilot operated check valve. To permit free flow in one way and shut off the flow in the opposite direction. Pilot ratio 1.4	 	
	VRR38	One-way check valve. To shut off the oil flow in one direction $\Delta P = 1$ bar	 	

VR PRESSURE 1000 BAR		MODEL	Description	Symbol
	VRF38	Needle valve. To shut off the flow.	 	
	VRU38	One-way flow control valve. It permits controlled load lowering.	 	
	VRH38	One-way flow control valve with fine regulation. It permits controlled load lowering.	 	
	VRF382	Double outlet needle valve. To split the flow in two separate ways. $A = 90$	 	
	VRF384	Needle valve with four outlets to split the flow in four separate ways. $A = 210$	 	

VR - IN-LINE REGULATING VALVES

ZOH - IN-LINE REGULATING VALVES

VR PRESSURE 2000 BAR

MODEL	Description	Symbol
VRF15	Needle valve. To shut off the flow.	
VRF152	Double outlet needle valve. To split the flow in two separate ways. A= 115	
VRF153	Needle valve with three outlets to split the flow in three separate ways. A= 180	
VRF154	Needle valve with four outlets to split the flow in four separate ways. A= 245	

VR PRESSURE 3000 BAR

MODEL	Description	Symbol
VRF34	Needle valve. To exclude circuit branches.	
VRR34	One-way check valve. To shut off the oil flow in one direction.	

ZOH HYDRAULIC OIL



Always use EUROPRESS hydraulic oil or oil having the same technical characteristics. Different oil types might damage the seals or gaskets and equipment and would make the guarantee null and void.

Container size

1 - 10 lt

FEATURES

EUROPRESS high pressure hydraulic oil is a mineral based oil to ISO VG 32 with excellent viscosity and lubrication properties. The use of EUROPRESS oil will ensure maximum efficiency and long service life of the equipment. EUROPRESS hydraulic oil is non foaming, will not leave gummy deposits, nor corrode valve seats, seals or gaskets, or the cylinder walls.

Supplied in 1, 5 and 10 lt. containers.

Code:

- ZOH1 1 litre Container
- ZOH5 5 litres Container.
- ZOH10 10 litres Container.